

AD-30x2Ri

30-lb Capacity OPL Stack Dryer

Standard Features:

- 20% more efficiency
- Fast drying times
- 5-year limited warranty on parts
- Two-point roller system
- Stainless steel fronts standard
- Stainless steel basket standard
- Trans-axial airflow
- Single-phase reversing basket
- Double-pane door glass
- S.A.F.E. (Sensor Activated Fire Extinguishing System)
- Phase-7 micro-controls with auto-dry
- Available in gas only



AD-30x2Ri OPL Stack Dryer

Why Purchase AD-30x2Ri?

Performance

The achievement: Through innovative design, the i-Series dryers achieve higher performance, industry-leading efficiency, shorter dry times and safer, more reliable operation. What an owner wants, an owner gets: saving money on utilities and maintenance. Anyone can say their dryers have the best performance. The Intelligent Dryer Series has the features to prove it.

Reliability

Demanding owners require more than just outstanding performance for their toughest laundry environments. To accommodate owners, we designed the i-Series with years of reliable operation as an absolute design necessity. A sturdy steel-welded cabinet, fewer moving parts and top-quality components are the foundation of the line. Costly repairs and unwanted downtime are now a thing of the past.

Phase-7 Micro-Controls with Auto-Dry

ADC's phase-7 micro-control features state-of-the-art diagnostic capabilities and simple programmability. We were the first to bring computer-operated dryers to the market and today continue to be the leader in applying technology to dryer operation. Phase-7 provides patented auto-dry capability in OPL mode and easy-to-read LED screens and user-friendly multilingual interface.

Your local ADC independent authorized distributor

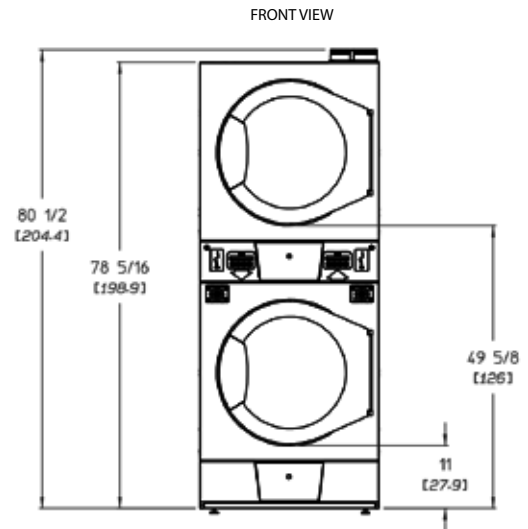


www.adclaundry.com

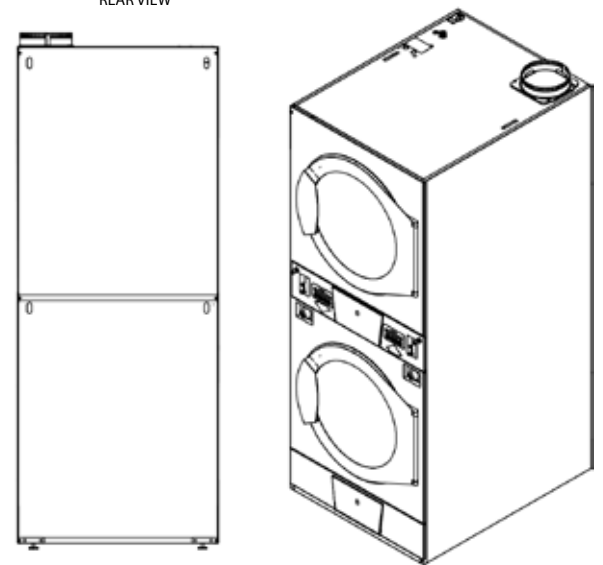
AD-30x2Ri

AD-30x2Ri Specifications

Maximum Capacity (dry weight) Per Pocket	30 lb	13.6 kg
Tumbler Diameter	30"	76.2 cm
Tumbler Depth	27"	68.5 cm
Tumbler Volume Per Pocket	11 cu ft	311.5 L
Tumbler/Drive Motor Per Pocket	1/4 hp	0.19 kW
Blower/Fan Motor Per Pocket	1/2 hp	0.37 kW
Door Opening (diameter)	21-1/2"	54.6 cm
Door Sill Height Top Pocket / Bottom Pocket	51-3/4" / 13-1/8"	131.4 cm / 33.3 cm
Dryers Per 20'/40' Container	14/ 28	
Dryers Per 48'/53' Truck	36 / 42	
Gas Model	Voltage Available	120-240V 1ø 2w 50/60 Hz
	Approximate Net Weight	520 lb 236 kg
	Approximate Shipping Weight	550 lb 249 kg
	Airflow Per Pocket	60 Hz 450 cfm 12.74 cmm
		50 Hz 375 cfm 10.6 cmm
	Heat Input Per Pocket	72,000 Btu/hr 18,144 kcal/hr
	Exhaust Connection (diameter) Per Dryer	8" 20.3 cm
Inlet Pipe Connection Per Dryer	1/2" M.N.P.T.	
	1/2" B.S.P.T. (CE and Australia Only)	



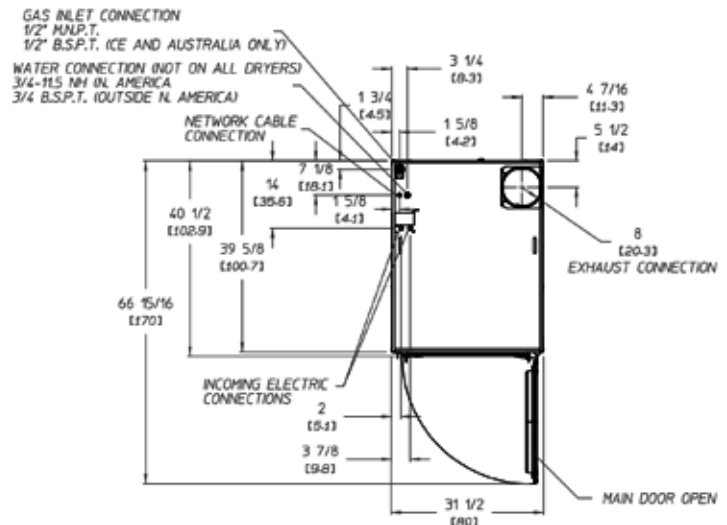
REAR VIEW



Electrical Service Specifications

GAS HEAT							
SERVICE VOLTAGE	PHASE	WIRE SERVICE	TOTAL AMPS		BREAKER SIZE		WIRE
			60 Hz	50 Hz	60 Hz	50 Hz	
120	1ø	2	14.2	--	20	--	12
120*	1ø	2	7.1	--	15 (2)	--	14
200	1ø	2	6.5	--	15	--	14
220	1ø	2	5.1	--	15	--	14
230	1ø	2	4.8	--	15	--	14
240	1ø	3	4.8	--	15	--	14
200	1ø	3	--	6	--	15	14
220	1ø	3	--	4.6	--	15	14

TOP VIEW



QY160037 1/17

88 Currant Road, Fall River, MA 02720-4781 • 508.678.9000